

# CVM2072SMSS

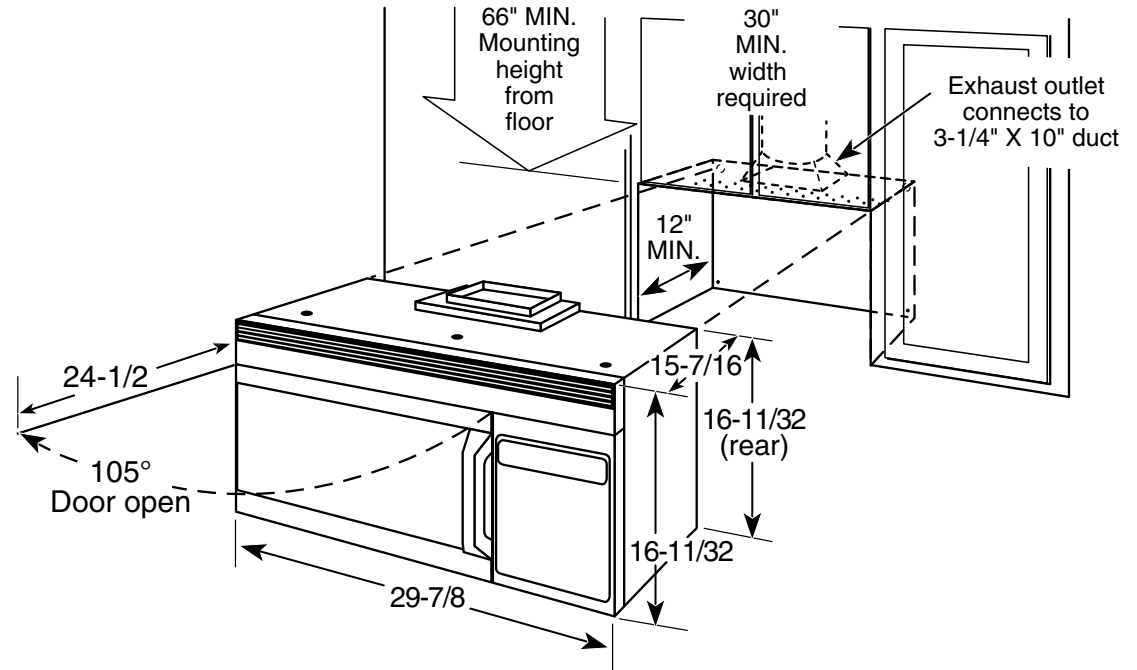
## GE Café 2.0 Cu. Ft. Over-the-Range Microwave Oven

### Dimensions and Installation Information (in inches)

**Note:** Requires 120V grounded outlet. Electrical receptacle must be located in cabinet above Spacemaker microwave oven. No additional wiring, venting or cabinet rebuilding necessary in many cases. Complete detailed, easy-to-follow installation instructions and convenient full-size templates are packed with the Spacemaker microwave oven.

**Important Information:** When installing the Spacemaker microwave oven over a range, allow minimum of 2" from bottom of Spacemaker microwave oven to top of range backguard to allow for removal of light covers.

**Installation Information:** This information is not intended to be used for installing unit described. Before installing, consult installation instructions packed with product/kit for current dimensional data.



For answers to your Monogram,<sup>®</sup> GE Profile<sup>™</sup> or GE<sup>®</sup> appliance questions, visit our website at [ge.com](http://ge.com) or call GE Answer Center<sup>®</sup> service, 800.626.2000.



imagination at work



Listed by  
Underwriters  
Laboratories

# CVM2072SMSS

## GE Café 2.0 Cu. Ft. Over-the-Range Microwave Oven

### Optional Accessories (Available at additional cost)

**Hood Exhaust Duct:** Outside ventilation requires a HOOD EXHAUST DUCT. Read the following carefully.

**Exhaust Connection:** The hood exhaust has been designed to mate with a standard 3-1/4" x 1" rectangular duct. If a round duct is required, a rectangular-to-round transition adaptor must be used. Do not use less than a 6" diameter duct.

**Rear Exhaust:** If a rear or horizontal exhaust is to be used, care should be taken to align exhaust with space between studs, or wall should be prepared at the time it is constructed by leaving enough space between the wall studs to accommodate exhaust.

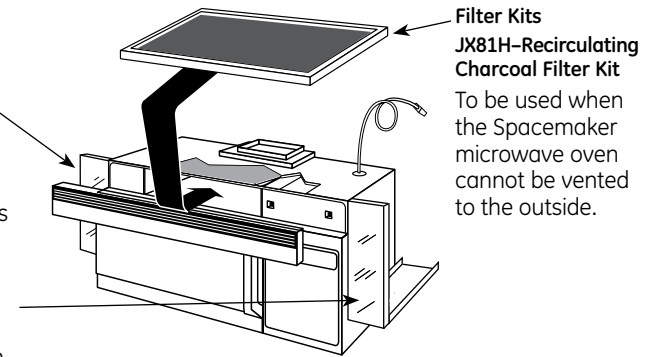
**Maximum Duct Length:** For satisfactory air movement, the total duct length of 3-1/4" x 10" rectangular or 6" diameter round duct should not exceed 140 equivalent feet.

**ELBOWS, TRANSITIONS, WALL AND ROOF CAPS:** etc., present additional resistance to airflow and are equivalent to a section of straight duct which is longer than their actual physical size. When calculating the total duct length, add the equivalent length of all transitions and adaptors plus the lengths of all straight duct sections. The chart below shows the approximate feet of equivalent length of some typical ducts.

Duct	Equivalent Feet
A. Rectangular-To-round Transition Adaptor	5 ft.
B. Wall Cap	40 ft.
C. 90° Elbow	10 ft.
D. 45° Elbow	5 ft.
E. 90° Elbow	25 ft.
F. 45° Elbow	5 ft.
G. Roof Cap	24 ft.

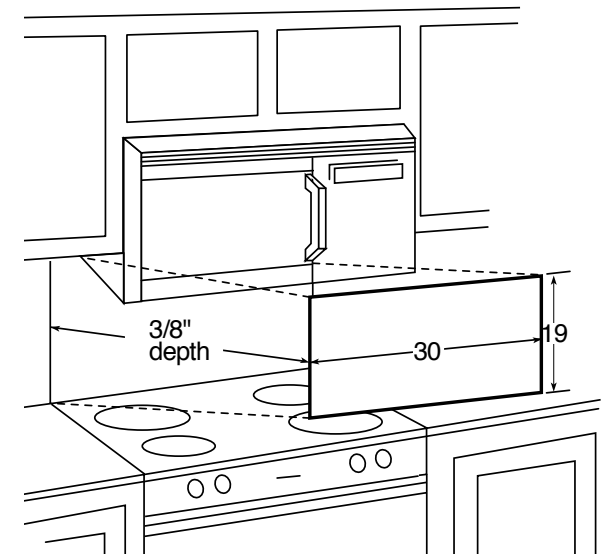
**Filler Panel Kits**  
**JX40CT-Bisque**  
**JX41-Black**  
**JX40WH-White**

When replacing a 36" or 42" range hood, this kit fills in the additional width to provide a custom built-in appearance. For installation between cabinets only; not for end-of-cabinet installation. Each kit contains two 3"-wide filler panels. Two kits are needed for a 42" opening.



**Filter Kits**  
**JX81H-Recirculating Charcoal Filter Kit**  
 To be used when the Spacemaker microwave oven cannot be vented to the outside.

**JX22SS - Stainless Steel Decorative Panel Kit**  
 When replacing a Hi/Low range with a microwave/convection oven or Spacemaker over a range model, this panel kit fills in the area between the microwave and range left by the Hi/Low model.

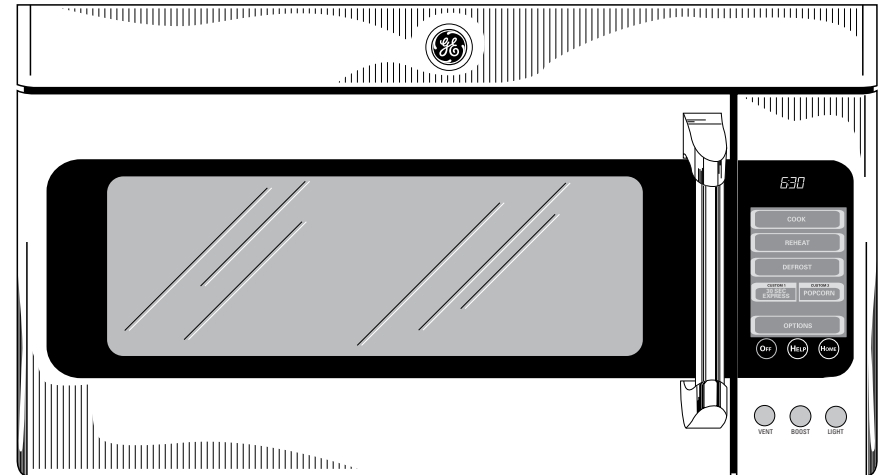


# CVM2072SMSS

## GE Café 2.0 Cu. Ft. Over-the-Range Microwave Oven

### Features and Benefits

- 2.0 cu. ft. capacity - 1100 Watts (IEC-705 test procedure)
- Dual-distribution cooking system - Circulates microwaves from the top and side of the oven for even heating and defrosting of food
- EasyGuide™ menu system - Automatically leads you through each step of the cooking process
- Soften, melt and 1-lb. Quick Defrost features
- 1-lb. Quick Defrost - Evenly defrosts a pound meat, poultry or fish in a fraction of the usual time, without precooking or turning the food
- Full-width Active Hidden Vent - Out of sight when not in use, the oven vent hides behind the sleek top panel for a sophisticated, easy-to-clean look
- 14-1/4" recessed turntable - Large enough to handle 5-qt. casserole dishes and can easily be removed for cleaning
- Two removable oven racks - Make room for up to six plates or three 9" x 13" casserole dishes
- Four-speed with Boost 315-CFM Venting - Allows you to adjust ventilation levels according to your needs
- Model CVM2072SMSS- Stainless steel



imagination at work